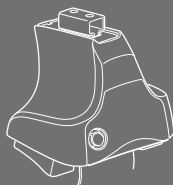


# Instructions

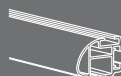
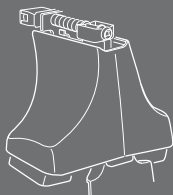
# Kit 1439

CITROËN Jumper, 2-dr Single Cab, 06–  
CITROËN Jumper, 4-dr Double Cab, 06–  
FIAT Ducato, 2-dr Single Cab, 06–  
FIAT Ducato, 4-dr Double Cab, 06–  
PEUGEOT Boxer, 2-dr Single Cab, 06–  
PEUGEOT Boxer, 4-dr Double Cab, 06–

480R  
754



750

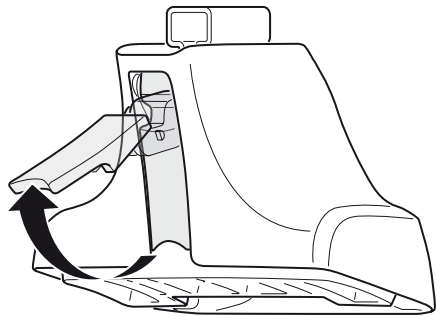
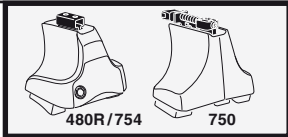


**THULE**<sup>®</sup>  
SWEDEN  
**PROFESSIONAL**

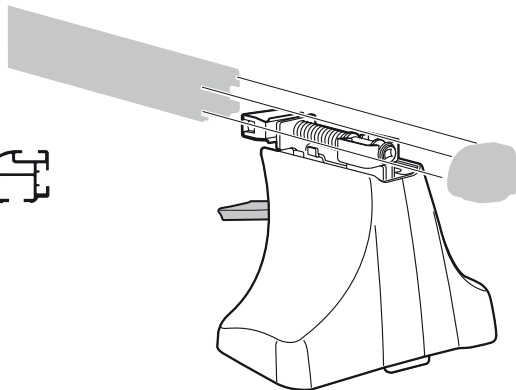
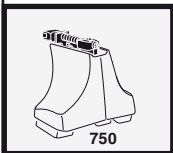
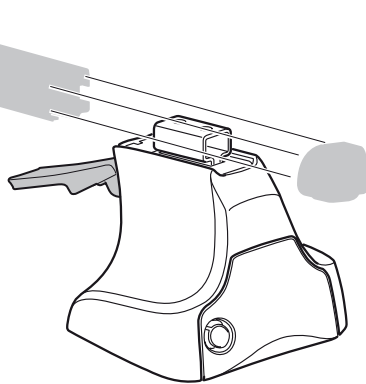
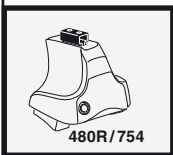
ISO 11154-E

**Kit**

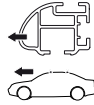
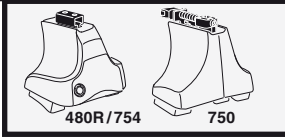
1



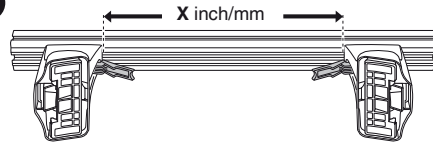
2



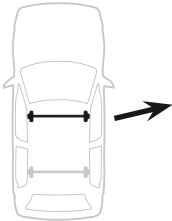
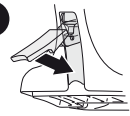
**3**



**1**

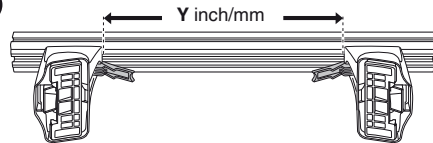


**2**

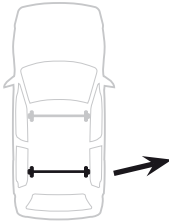
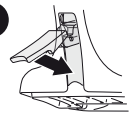


	X inch	X mm
CITROËN Jumper, 2-dr Single Cab, 06-	66 <sup>3</sup> / <sub>4</sub> "	1696 mm
CITROËN Jumper, 4-dr Double Cab, 06-	66 <sup>3</sup> / <sub>4</sub> "	1696 mm
FIAT Ducato, 2-dr Single Cab, 06-	66 <sup>3</sup> / <sub>4</sub> "	1696 mm
FIAT Ducato, 4-dr Double Cab, 06-	66 <sup>3</sup> / <sub>4</sub> "	1696 mm
PEUGEOT Boxer, 2-dr Single Cab, 06-	66 <sup>3</sup> / <sub>4</sub> "	1696 mm
PEUGEOT Boxer, 4-dr Double Cab, 06-	66 <sup>3</sup> / <sub>4</sub> "	1696 mm

**1**

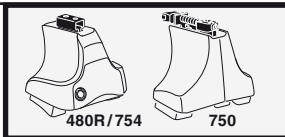


**2**

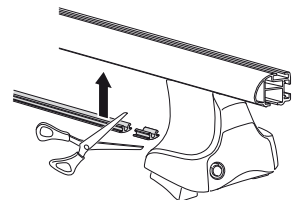


	Y inch	Y mm
CITROËN Jumper, 2-dr Single Cab, 06-	67 <sup>1</sup> / <sub>2</sub> "	1716 mm
CITROËN Jumper, 4-dr Double Cab, 06-	67 <sup>1</sup> / <sub>2</sub> "	1716 mm
FIAT Ducato, 2-dr Single Cab, 06-	67 <sup>1</sup> / <sub>2</sub> "	1716 mm
FIAT Ducato, 4-dr Double Cab, 06-	67 <sup>1</sup> / <sub>2</sub> "	1716 mm
PEUGEOT Boxer, 2-dr Single Cab, 06-	67 <sup>1</sup> / <sub>2</sub> "	1716 mm
PEUGEOT Boxer, 4-dr Double Cab, 06-	67 <sup>1</sup> / <sub>2</sub> "	1716 mm

**4**



x2 16mm

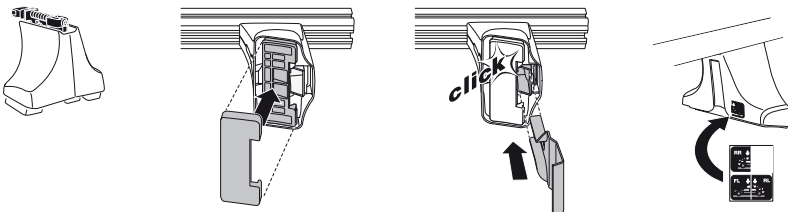
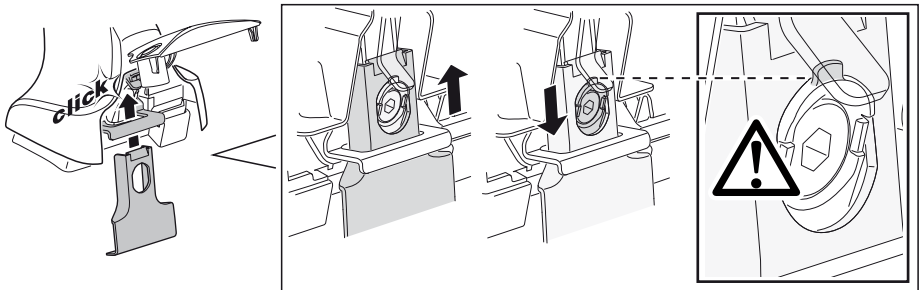
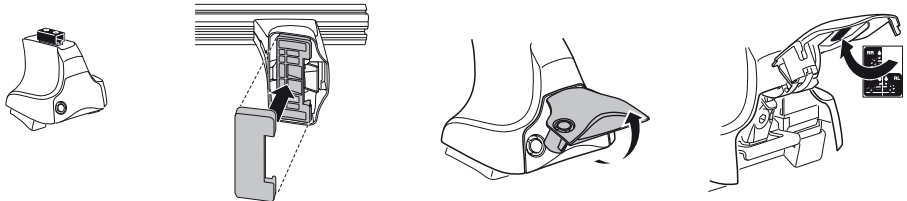
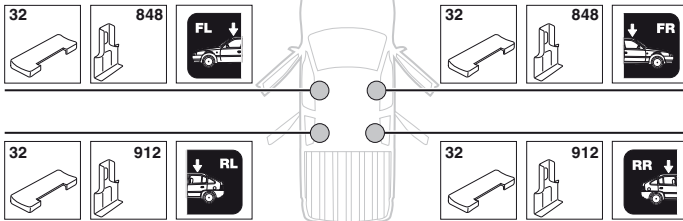


**5**

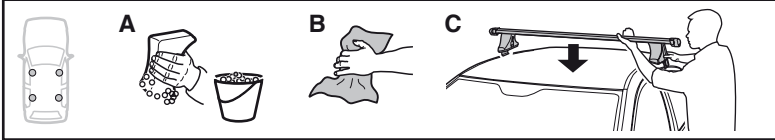
**CITROËN Jumper, 2-dr Single Cab, 06–**  
**FIAT Ducato, 2-dr Single Cab, 06–**  
**PEUGEOT Boxer, 2-dr Single Cab, 06–**



**CITROËN Jumper, 4-dr Double Cab, 06–**  
**FIAT Ducato, 4-dr Double Cab, 06–**  
**PEUGEOT Boxer, 4-dr Double Cab, 06–**

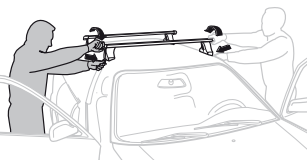
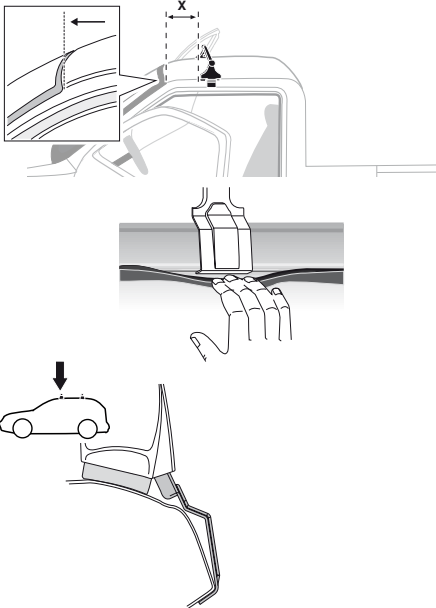


6

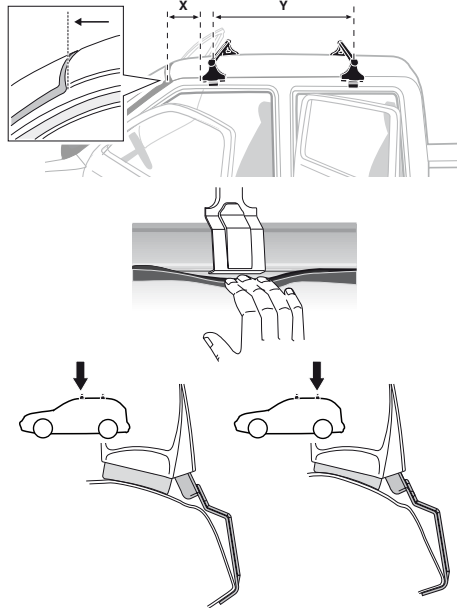


	X mm	Y mm	X inch	Y inch
CITROËN Jumper, 2-dr Single Cab, 06-	570 mm	-	22 1/2"	-
CITROËN Jumper, 4-dr Double Cab, 06-	570 mm	750 mm	22 1/2"	29 1/2"
FIAT Ducato, 2-dr Single Cab, 06-	570 mm	-	22 1/2"	-
FIAT Ducato, 4-dr Double Cab, 06-	570 mm	750 mm	22 1/2"	29 1/2"
PEUGEOT Boxer, 2-dr Single Cab, 06-	570 mm	-	22 1/2"	-
PEUGEOT Boxer, 4-dr Double Cab, 06-	570 mm	750 mm	22 1/2"	29 1/2"

**CITROËN Jumper, 2-dr Single Cab, 06-**  
**FIAT Ducato, 2-dr Single Cab, 06-**  
**PEUGEOT Boxer, 2-dr Single Cab, 06-**

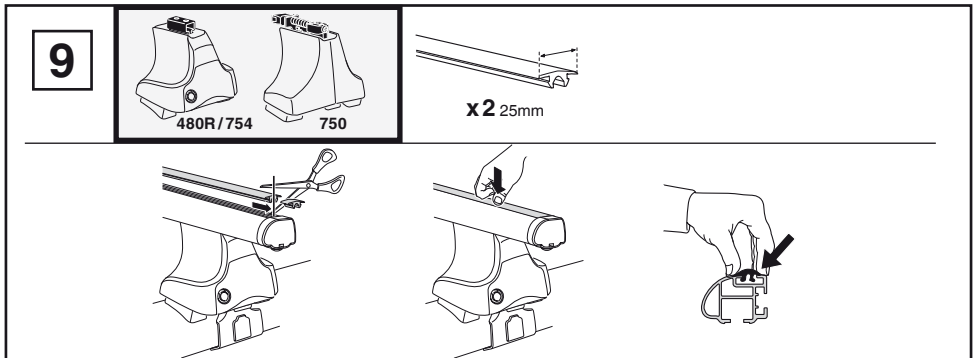
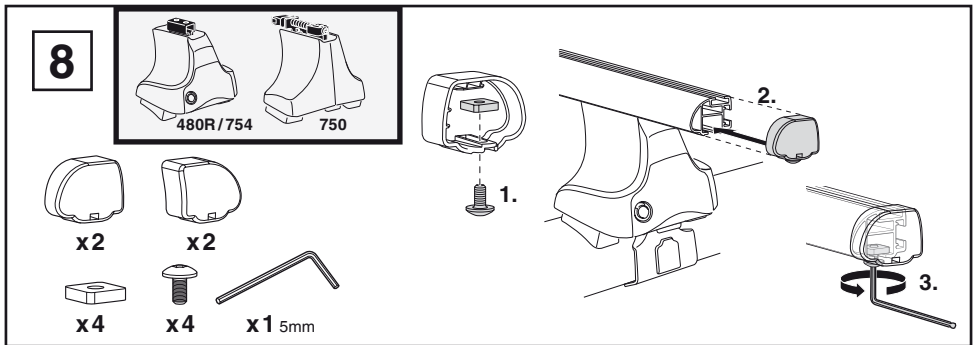
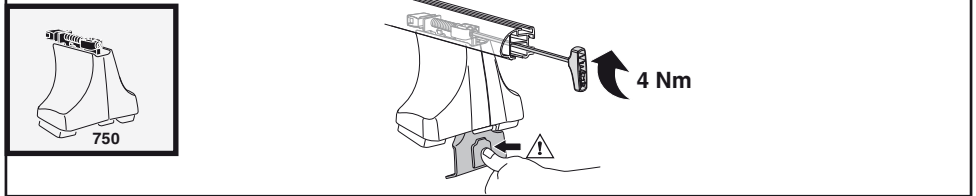
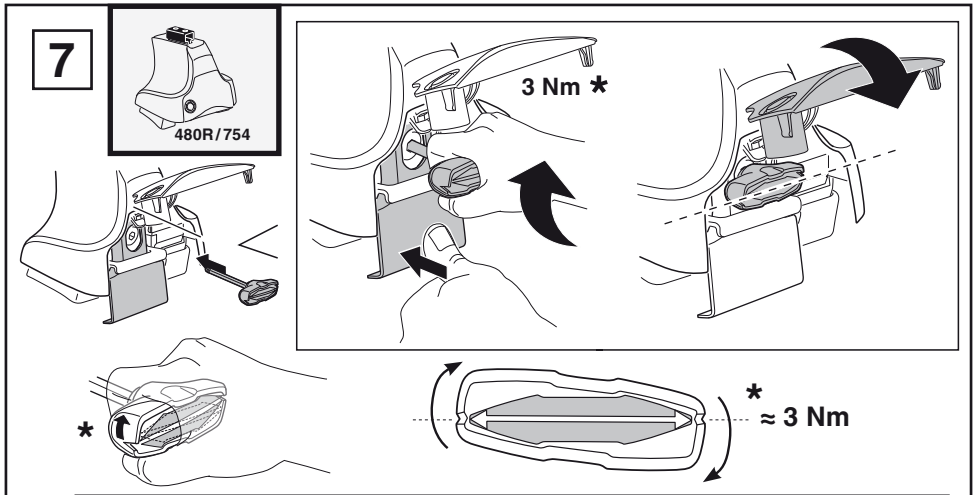


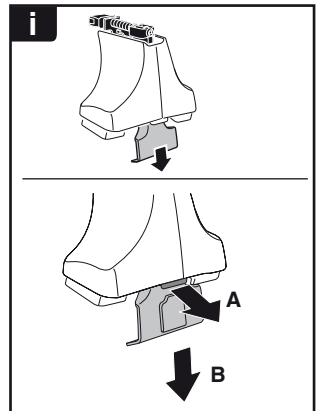
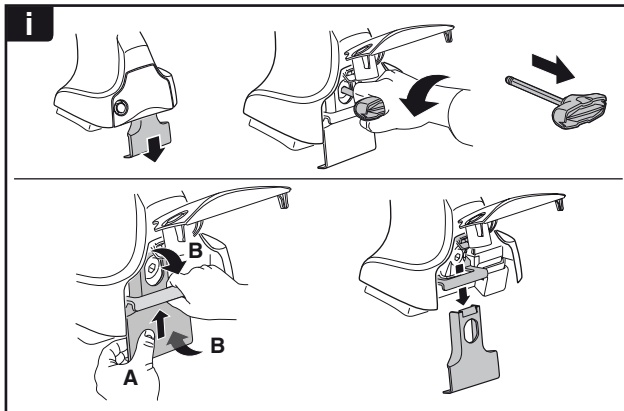
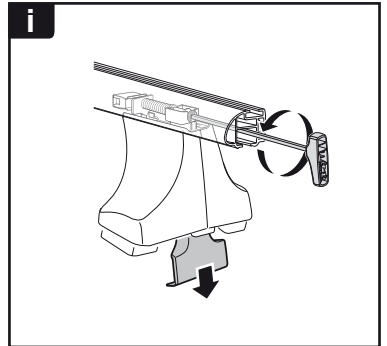
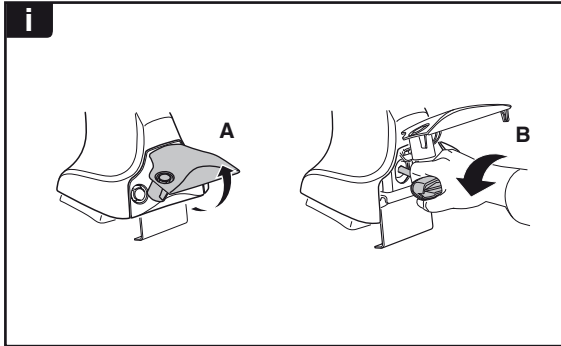
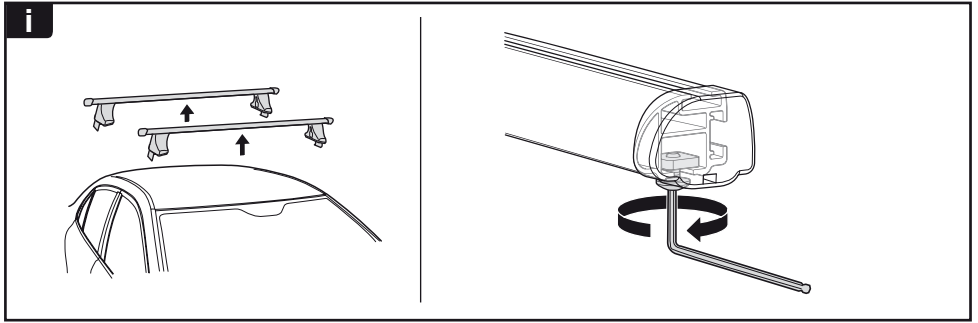
**CITROËN Jumper, 4-dr Double Cab, 06-**  
**FIAT Ducato, 4-dr Double Cab, 06-**  
**PEUGEOT Boxer, 4-dr Double Cab, 06-**



**GB/US** Tighten alternately  
**D** Die Schrauben abwechselnd anziehen  
**F** Serrer alternativement chaque côté  
**NL** Afwisselend aan de linker- en de rechterkant aandraaien  
**I** Alternare il serraggio delle viti  
**E** Serrare alternativamente  
**PT** Aperte alternadamente  
**S** Dra åt växelvis  
**FIN** Kierrä vuorotellen  
**EST** Pinguldage vaheldumisi  
**LAT** Pielveiciet pamišus  
**LIT** Užsukinėkite pakaitomis  
**PL** Śruby dokręcaj naprzemiennie  
**RU** Затягивайте попеременно

**CZ** Pokręťta bagażnika dokręcaj dokręcaj naprzemiennie.  
**SK** Dofahujtie striedavo  
**SLO** Privijaťte izmenično.  
**HR** Naizmjenično zategnite  
**HU** Egymástól függetlenül szorítandó  
**GR** Σφίγγετε εναλλάξ  
**TR** Dönüşümlü sıkın  
**中文** 交替拧紧  
**한국어** 번갈아 가며 조이십시오.  
**日本語** 交互に締め付けてください。  
**ไทย** ชั้มนั้แบบสลับ





**ww** ▶ Thule Sweden AB, Box 69, 330 33 Hillerstorp, SWEDEN  
**NA** ▶ Thule Inc., 42 Silvermine Road, Seymour, Connecticut 06483, USA

info@thule.com  
 customer.service@thule.com

 www.thuleprofessional.com